

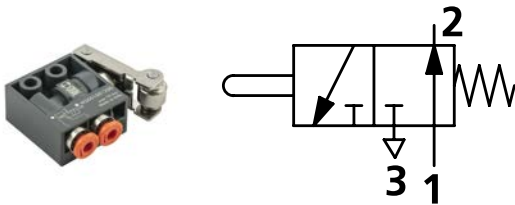
3/2-Wege-Miniaturventil

mechanisch betätigt, Reihe VME

PLUS ||

Artikel Nr. 154077

Typen Nr. W3501001200



Beispielhafte Darstellung

Miniventile in 3/2-Wege-Ausführung NC oder NO.

Technische Informationen

Funktion	3/2 NO
Betätigung	monostabil
Anschluss	Steckanschluss Ø 4 mm seitlich
DN	2,5 mm
Durchflusswertmessung 1	Durchfluss bei 6 bar und Δp 0,5 bar
Durchfluss 1	35 NI/min
Durchflusswertmessung 2	Durchfluss bei 6 bar und Δp 1 bar
Durchfluss 2	60 NI/min
Medium	gefilterte Druckluft mit oder ohne Ölung. Wenn geölt, dann kontinuierlich.
Betriebsdruck	0,5 - 10 bar
Temperaturbereich	-10 bis 60 °C
Ventilkörper	Aluminium
Dichtmaterial	NBR
Feder	rostfreier Stahl

Kaufmännische Daten

Zolltarifnummer	84818079
Ursprungsland	IT
eCl@ss 5.1.4	27291801
eCl@ss 9.0	27291390
UNSPSC_Code_v190501	40141603
UNSPSC_CodeDesc_v190501	Pneumatic valves

B1

MINIVALVES, MECHANICALLY AND HAND OPERATED SERIES VME

VALVES

MINIVALVES, MECHANICALLY AND HAND OPERATED SERIES VME

- Minivalves with 3/2 NO NC poppet,
- Installation in any position
- Push-in fittings for pipe Ø 4 mm and M5
- Low actuation force
- Rapid, accurate signal
- Mechanical actuation
- The 2 places adapter allows manual actuation of 1 or 2 VME valves with manual Ø 22 panel actuators. Thus it is possible to obtain 3/2, 5/2, 5/3 open centre and 5/3 pressure centre pneumatic functions.
- On request, it is possible to place a NC-NO electric switch next to VME valve for mixed solenoid/pneumatic signals.

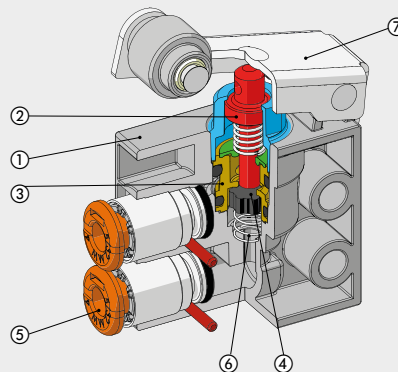


TECHNICAL DATA

Valve fitting port		Push-in fitting for pipe diam. 4 and M5 (axial or side)
Fluid		Filtered air without lubrication; lubrication, if used, must be continuous
Type		With poppet
Versions		Mechanical and manual
Operators:		
mechanical		With Plunger – Plunger for wall-mounting – Roller lever – Unidirectional roller lever
manual		Depending on the type of actuation panel selected
Thread forming torque of the self-tapping screws for the plunger version	Nm	0.6
Operating pressure	bar	0.5 to 10
Operating temperature range	°C	-10° to +60
Nominal diameter	mm	2.5
Conductance C	Nl/min · bar	16.5
Critical ratio b	bar/bar	0.03
Flow rate at 6 bar ΔP 0.5 bar	Nl/min	35
Flow rate at 6 bar ΔP 1 bar	Nl/min	60
Actuation force – Plunger at 6 Bar	N	8
Installation		In any position
Compatibility with oils		See chapter Z1

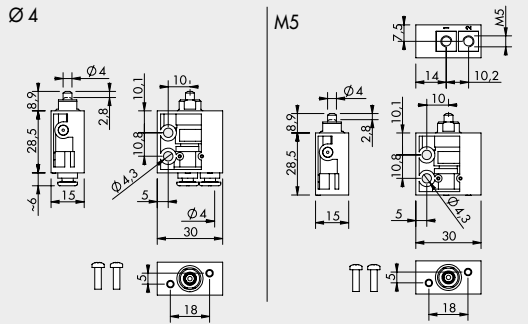
COMPONENTS

- ① VALVE BODY: technopolymer
- ② BUTTON: chemically nickel-plated brass
- ③ DISTANCE PLATES: brass
- ④ GASKETS: NBR
- ⑤ PUSH-IN FITTING CARTRIDGES: stainless steel, brass and plastic
- ⑥ SPRINGS: stainless steel
- ⑦ LEVER: nickel-plated steel



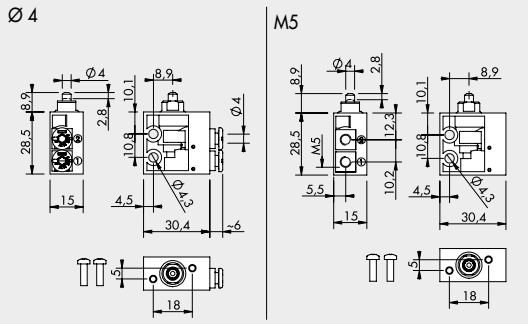
B1.4

PLUNGER 3/2 NO - AXIAL FITTINGS



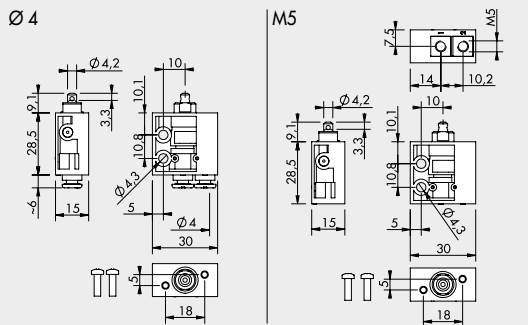
Symbol	Code	Description	Weight [g]
	W3501000101	VME1-10 NO Ø 4	22
	W3501000110	VME1-16 NO M5	24

PLUNGER 3/2 NO - SIDE FITTINGS



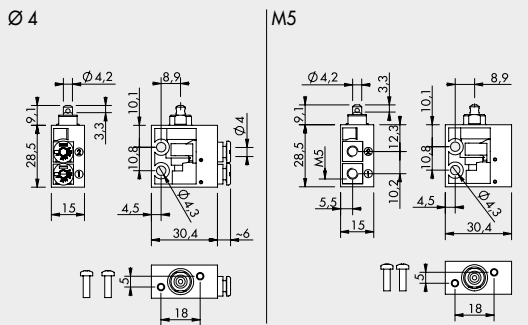
Symbol	Code	Description	Weight [g]
	W3501001100	VME2-00 NO Ø 4	22
	W3501001110	VME2-10 NO M5	24

PLUNGER 3/2 NC - AXIAL FITTINGS



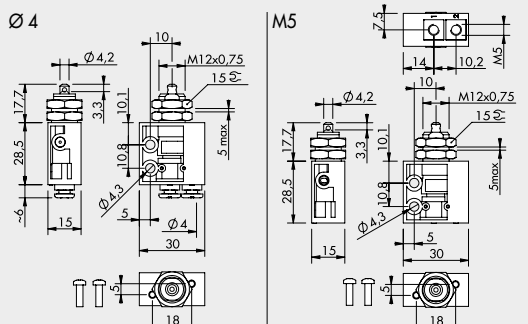
Symbol	Code	Description	Weight [g]
	W3501000100	VME1-01 NC Ø 4	22
	W3501000111	VME1-11 NC M5	24

PLUNGER 3/2 NC - SIDE FITTINGS



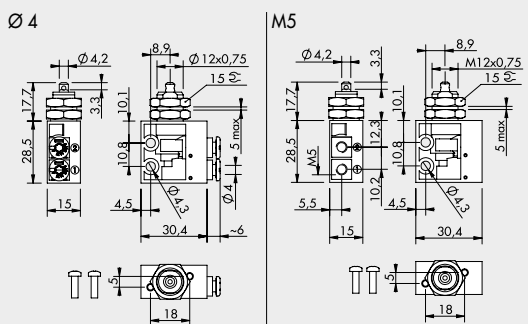
Symbol	Code	Description	Weight [g]
	W3501001101	VME2-01 NC Ø 4	22
	W3501001111	VME2-11 NC M5	24

PLUNGER FOR WALL MOUNTING, 3/2 NC - AXIAL FITTINGS



Symbol	Code	Description	Weight [g]
	W3501000400	VME1-04 NC Ø 4	36
	W3501000411	VME1-14 NC M5	38

PLUNGER FOR WALL MOUNTING, 3/2 NC - SIDE FITTINGS

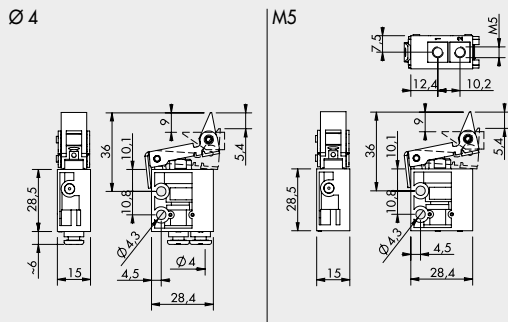


Symbol	Code	Description	Weight [g]
	W3501001401	VME2-04 NC Ø 4	36
	W3501001411	VME2-14 NC M5	38

VALVES

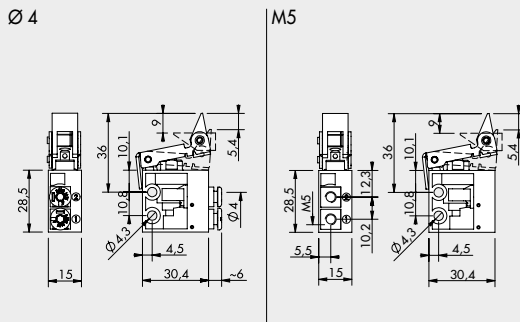
MINIVALVES, MECHANICALLY AND HAND OPERATED SERIES VME

UNIDIRECTIONAL ROLLER LEVER, 3/2 NC - AXIAL FITTINGS



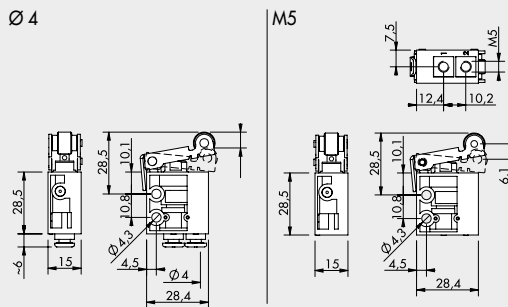
Symbol	Code	Description	Weight [g]
	W3501000300	VME1-03 NC Ø 4	38
	W3501000311	VME1-13 NC M5	40

UNIDIRECTIONAL ROLLER LEVER, 3/2 NC - SIDE FITTINGS



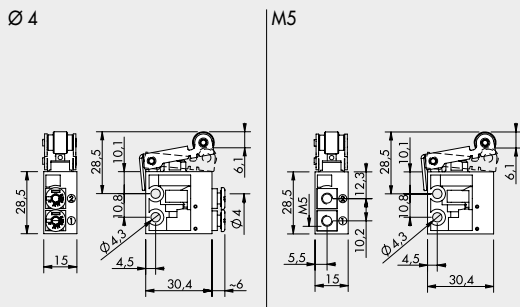
Symbol	Code	Description	Weight [g]
	W3501001301	VME2-03 NC Ø 4	38
	W3501001311	VME2-13 NC M5	40

ROLLER LEVER, 3/2 NO - AXIAL FITTINGS



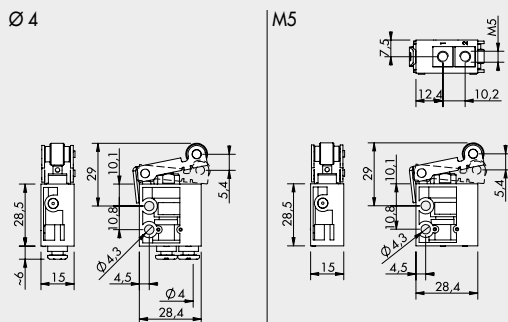
Symbol	Code	Description	Weight [g]
	W3501000201	VME1-05 NO Ø 4	36
	W3501000210	VME1-15 NO M5	38

ROLLER LEVER, 3/2 NO - SIDE FITTINGS



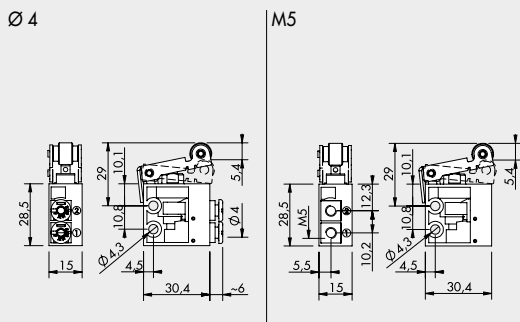
Symbol	Code	Description	Weight [g]
	W3501001200	VME2-05 NO Ø 4	36
	W3501001210	VME2-15 NO M5	38

ROLLER LEVER, 3/2 NC - AXIAL FITTINGS



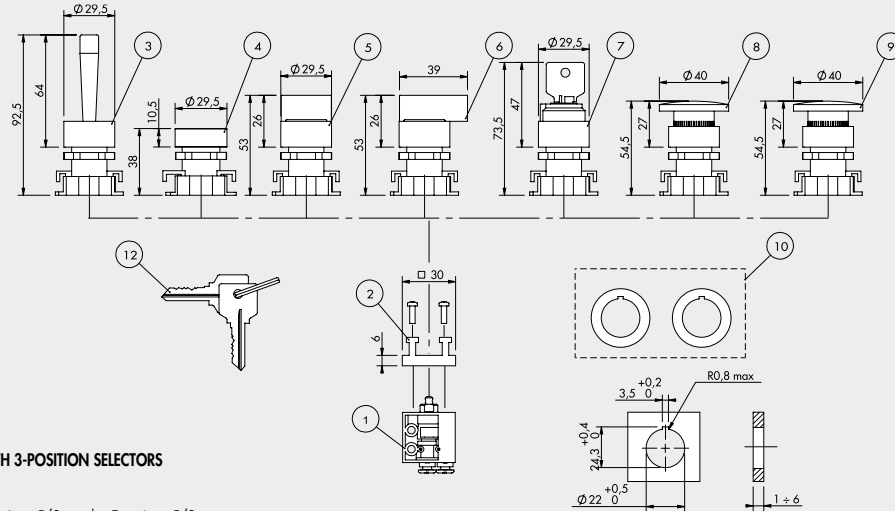
Symbol	Code	Description	Weight [g]
	W3501000200	VME1-02 NC Ø 4	36
	W3501000211	VME1-12 NC M5	38

ROLLER LEVER, 3/2 NC - SIDE FITTINGS



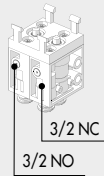
Symbol	Code	Description	Weight [g]
	W3501001201	VME2-02 NC Ø 4	36
	W3501001211	VME2-12 NC M5	38

MANUAL VME VALVES – ASSEMBLY DIAGRAM



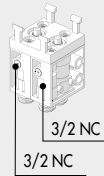
WITH 2-POSITION SELECTORS

Functions 5/2

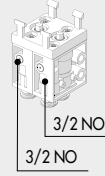


WITH 3-POSITION SELECTORS

Functions 5/3 open centers



Functions 5/3 pressure centers



NOTES:

- For VME valve bodies in technopolymer, use the self-tapping screws supplied with the valve.
- For before modification VME valve bodies (aluminum version), use the M3 screws supplied with the selector or button kit.

ORDERING CODES

Rif.	Symbol	Code	Description	Weight [g]
①		W3501000100	3/2 NC Axial fittings Ø 4	22
		W3501000111	3/2 NC Axial fittings M5	24
		W3501001101	3/2 NC Side fittings Ø 4	22
		W3501001111	3/2 NC Side fittings M5	24
①		W3501000101	3/2 NO Axial fittings Ø 4	22
		W3501000110	3/2 NO Axial fittings M5	24
		W3501001100	3/2 NO Side fittings Ø 4	22
		W3501001110	3/2 NO Side fittings M5	24
②		0351000050	2 places adaptor thickness 6.8 mm	5
③		W0351000015	Red handler with horizontally pivoted lever	25
④		W0351000011	Fat push button + 2 red/black coloured disks	15
		W0351000056	Green disk for push button ④	
⑤		W0351000030	Black selector short lever at 2 positions with return	20
		W0351000031	Black selector short lever at 2 positions	20

Rif.	Symbol	Code	Description	Weight [g]
⑤		W0351000032	Black selector short lever at 3 positions with return	20
		W0351000033	Black selector short lever at 3 positions	20
⑥		W0351000034	Black selector long lever at 2 positions with return	26
		W0351000035	Black selector long lever at 2 positions	26
⑥		W0351000036	Black selector long lever at 3 positions with return	26
		W0351000037	Black selector long lever at 3 positions	26
⑦		W0351000016	2 positions key selector with extractable key in 2 positions	50
		W0351000018	2 positions key selector with extractable key in 0	50
		W0351000013	Red mushroom-head push button Ø 40	27
⑧		W0351000017	Black mushroom-head push button Ø 40	27
⑨		W0351000014	Red mushroom-head push button with lock Ø 40	29
⑩		W0351000049	Reducer from 30 to 22.5 mm	
⑫		W0351000021	Key for ESC selectors	

VALVES

MINIVALVES, MECHANICALLY AND HAND OPERATED SERIES VME