

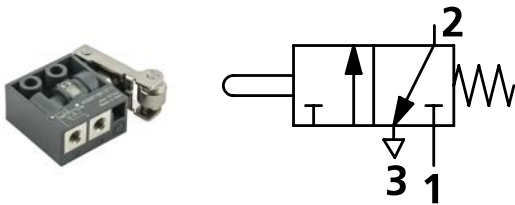
## 3/2-Wege-Miniaturventil

mechanisch betätigt, Reihe VME

**PLUS** ||

Artikel Nr. 154119

Typen Nr. W3501001211



Beispielhafte Darstellung

Miniventile in 3/2-Wege-Ausführung NC oder NO.

### Technische Informationen

|                         |  |
|-------------------------|--|
| Funktion                | 3/2 NC   |
| Betätigung              | monostabil   |
| Anschluss               | M5 IG seitlich   |
| DN                      | 2,5 mm   |
| Durchflusswertmessung 1 | Durchfluss bei 6 bar und $\Delta p$ 0,5 bar                                |
| Durchfluss 1            | 35 NI/min  |
| Durchflusswertmessung 2 | Durchfluss bei 6 bar und $\Delta p$ 1 bar                                  |
| Durchfluss 2            | 60 NI/min  |
| Medium                  | gefilterte Druckluft mit oder ohne Ölung. Wenn geölt, dann kontinuierlich. |
| Betriebsdruck           | 0,5 - 10 bar   |
| Temperaturbereich       | -10 bis 60 °C  |
| Ventilkörper            | Aluminium  |
| Dichtmaterial           | NBR  |
| Feder                   | rostfreier Stahl   |

## Kaufmännische Daten

---

|                         |                  |
|-------------------------|------------------|
| Zolltarifnummer         | 84818079         |
| Ursprungsland           | IT               |
| eCl@ss 5.1.4            | 27291801         |
| eCl@ss 9.0              | 27291390         |
| UNSPSC_Code_v190501     | 40141603         |
| UNSPSC_CodeDesc_v190501 | Pneumatic valves |

---

B1

## MINIVALVES, MECHANICALLY AND HAND OPERATED SERIES VME

VALVES

MINIVALVES, MECHANICALLY AND HAND OPERATED SERIES VME

- Minivalves with 3/2 NO NC poppet,
- Installation in any position
- Push-in fittings for pipe Ø 4 mm and M5
- Low actuation force
- Rapid, accurate signal
- Mechanical actuation
- The 2 places adapter allows manual actuation of 1 or 2 VME valves with manual Ø 22 panel actuators. Thus it is possible to obtain 3/2, 5/2, 5/3 open centre and 5/3 pressure centre pneumatic functions.
- On request, it is possible to place a NC-NO electric switch next to VME valve for mixed solenoid/pneumatic signals.

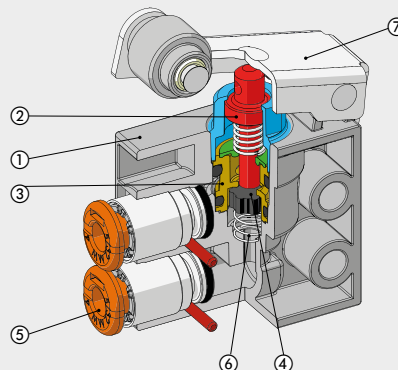


### TECHNICAL DATA

|  |              |   |
|--|--------------|---|
| Valve fitting port   |              | Push-in fitting for pipe diam. 4 and M5 (axial or side)                               |
| Fluid  |              | Filtered air without lubrication; lubrication, if used, must be continuous            |
| Type   |              | With poppet   |
| Versions   |              | Mechanical and manual   |
| Operators:   |              |   |
| mechanical   |              | With Plunger – Plunger for wall-mounting – Roller lever – Unidirectional roller lever |
| manual   |              | Depending on the type of actuation panel selected                                     |
| Thread forming torque of the self-tapping screws for the plunger version | Nm           | 0.6   |
| Operating pressure   | bar          | 0.5 to 10   |
| Operating temperature range  | °C           | -10° to +60   |
| Nominal diameter   | mm           | 2.5   |
| Conductance C  | Nl/min · bar | 16.5  |
| Critical ratio b   | bar/bar      | 0.03  |
| Flow rate at 6 bar ΔP 0.5 bar  | Nl/min       | 35  |
| Flow rate at 6 bar ΔP 1 bar  | Nl/min       | 60  |
| Actuation force – Plunger at 6 Bar                                       | N            | 8   |
| Installation   |              | In any position   |
| Compatibility with oils  |              | See <b>chapter Z1</b>   |

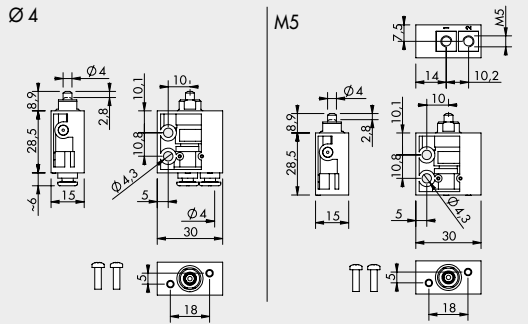
### COMPONENTS

- ① VALVE BODY: technopolymer
- ② BUTTON: chemically nickel-plated brass
- ③ DISTANCE PLATES: brass
- ④ GASKETS: NBR
- ⑤ PUSH-IN FITTING CARTRIDGES: stainless steel, brass and plastic
- ⑥ SPRINGS: stainless steel
- ⑦ LEVER: nickel-plated steel



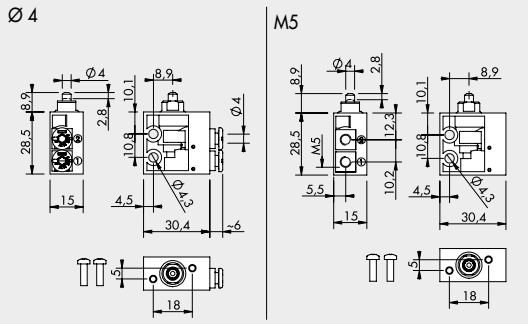
B1.4

**PLUNGER 3/2 NO - AXIAL FITTINGS**



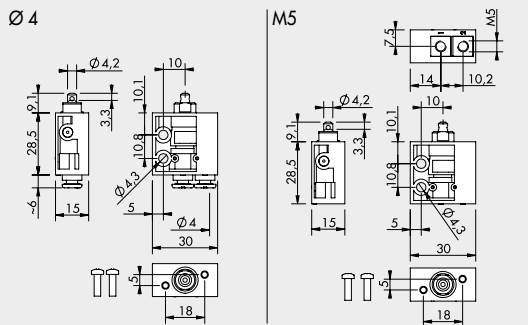
| Symbol | Code        | Description    | Weight [g] |
|--------|-------------|----------------|------------|
|        | W3501000101 | VME1-10 NO Ø 4 | 22         |
|        | W3501000110 | VME1-16 NO M5  | 24         |

**PLUNGER 3/2 NO - SIDE FITTINGS**



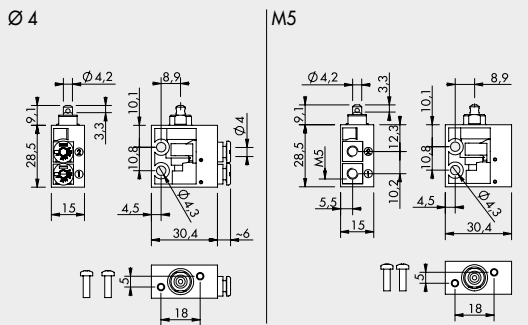
| Symbol | Code        | Description    | Weight [g] |
|--------|-------------|----------------|------------|
|        | W3501001100 | VME2-00 NO Ø 4 | 22         |
|        | W3501001110 | VME2-10 NO M5  | 24         |

**PLUNGER 3/2 NC - AXIAL FITTINGS**



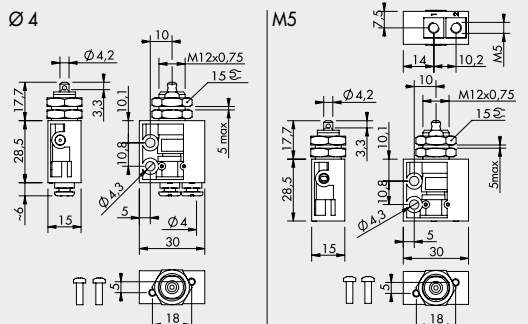
| Symbol | Code        | Description    | Weight [g] |
|--------|-------------|----------------|------------|
|        | W3501000100 | VME1-01 NC Ø 4 | 22         |
|        | W3501000111 | VME1-11 NC M5  | 24         |

**PLUNGER 3/2 NC - SIDE FITTINGS**



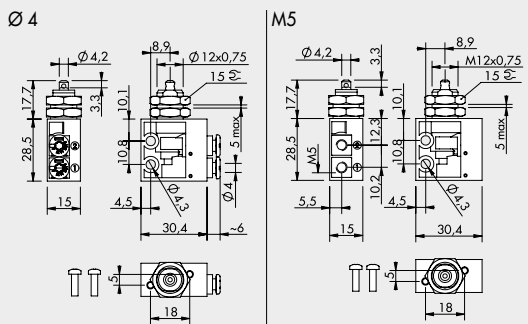
| Symbol | Code        | Description    | Weight [g] |
|--------|-------------|----------------|------------|
|        | W3501001101 | VME2-01 NC Ø 4 | 22         |
|        | W3501001111 | VME2-11 NC M5  | 24         |

**PLUNGER FOR WALL MOUNTING, 3/2 NC - AXIAL FITTINGS**



| Symbol | Code        | Description    | Weight [g] |
|--------|-------------|----------------|------------|
|        | W3501000400 | VME1-04 NC Ø 4 | 36         |
|        | W3501000411 | VME1-14 NC M5  | 38         |

**PLUNGER FOR WALL MOUNTING, 3/2 NC - SIDE FITTINGS**

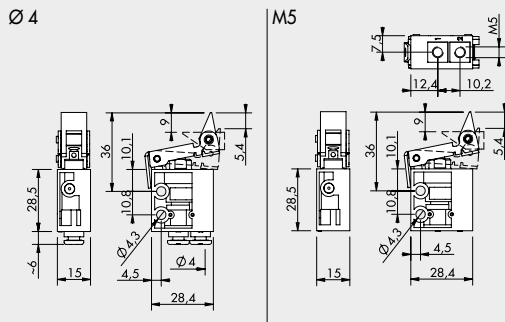


| Symbol | Code        | Description    | Weight [g] |
|--------|-------------|----------------|------------|
|        | W3501001401 | VME2-04 NC Ø 4 | 36         |
|        | W3501001411 | VME2-14 NC M5  | 38         |

VALVES

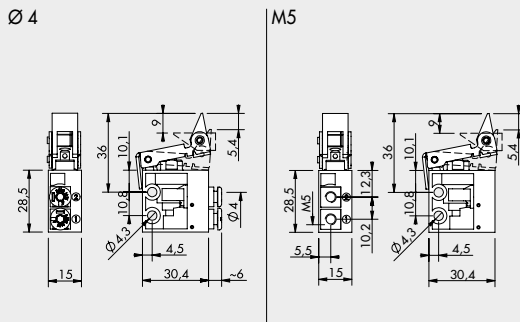
MINIVALVES, MECHANICALLY AND HAND OPERATED SERIES VME

UNIDIRECTIONAL ROLLER LEVER, 3/2 NC - AXIAL FITTINGS

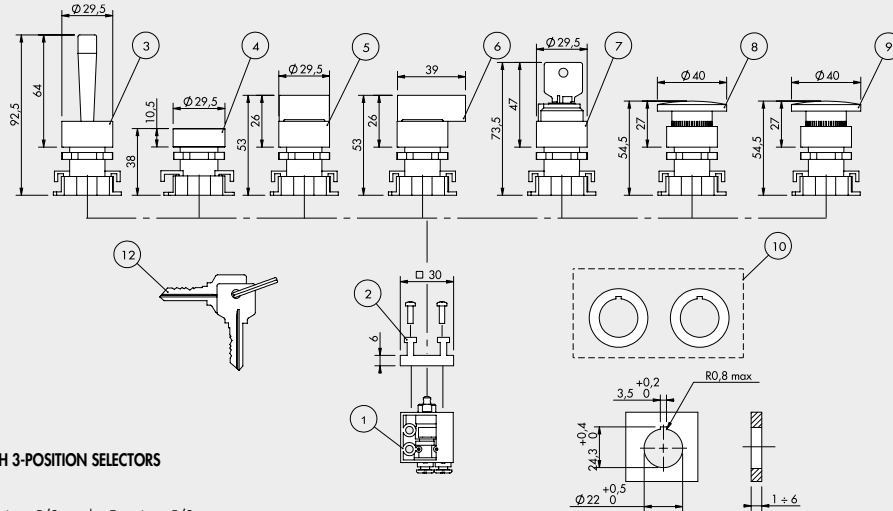


| Symbol | Code        | Description    | Weight [g] |
|--------|-------------|----------------|------------|
|        | W3501000300 | VME1-03 NC Ø 4 | 38         |
|        | W3501000311 | VME1-13 NC M5  | 40         |

UNIDIRECTIONAL ROLLER LEVER, 3/2 NC - SIDE FITTINGS

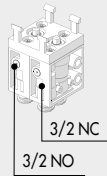


MANUAL VME VALVES – ASSEMBLY DIAGRAM



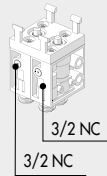
WITH 2-POSITION SELECTORS

Functions 5/2

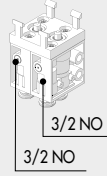


WITH 3-POSITION SELECTORS

Functions 5/3 open centers



Functions 5/3 pressure centers



NOTES:

- For VME valve bodies in technopolymer, use the self-tapping screws supplied with the valve.
- For before modification VME valve bodies (aluminum version), use the M3 screws supplied with the selector or button kit.

ORDERING CODES

| Rif. | Symbol | Code        | Description   | Weight [g] |
|------|--------|-------------|---|------------|
| ①    |        | W3501000100 | 3/2 NC Axial fittings Ø 4                             | 22         |
|      |        | W3501000111 | 3/2 NC Axial fittings M5                              | 24         |
|      |        | W3501001101 | 3/2 NC Side fittings Ø 4                              | 22         |
|      |        | W3501001111 | 3/2 NC Side fittings M5                               | 24         |
| ①    |        | W3501000101 | 3/2 NO Axial fittings Ø 4                             | 22         |
|      |        | W3501000110 | 3/2 NO Axial fittings M5                              | 24         |
|      |        | W3501001100 | 3/2 NO Side fittings Ø 4                              | 22         |
|      |        | W3501001110 | 3/2 NO Side fittings M5                               | 24         |
| ②    |        | 0351000050  | 2 places adaptor thickness 6.8 mm                     | 5          |
| ③    |        | W0351000015 | Red handler with horizontally pivoted lever           | 25         |
| ④    |        | W0351000011 | Fat push button + 2 red/black coloured disks          | 15         |
|      |        | W0351000056 | Green disk for push button ④                          |            |
| ⑤    |        | W0351000030 | Black selector short lever at 2 positions with return | 20         |
|      |        | W0351000031 | Black selector short lever at 2 positions             | 20         |

| Rif. | Symbol | Code        | Description  | Weight [g] |
|------|--------|-------------|--|------------|
| ⑤    |        | W0351000032 | Black selector short lever at 3 positions with return        | 20         |
|      |        | W0351000033 | Black selector short lever at 3 positions                    | 20         |
| ⑥    |        | W0351000034 | Black selector long lever at 2 positions with return         | 26         |
|      |        | W0351000035 | Black selector long lever at 2 positions                     | 26         |
| ⑥    |        | W0351000036 | Black selector long lever at 3 positions with return         | 26         |
|      |        | W0351000037 | Black selector long lever at 3 positions                     | 26         |
| ⑦    |        | W0351000016 | 2 positions key selector with extractable key in 2 positions | 50         |
|      |        | W0351000018 | 2 positions key selector with extractable key in 0           | 50         |
|      |        | W0351000013 | Red mushroom-head push button Ø 40                           | 27         |
| ⑧    |        | W0351000017 | Black mushroom-head push button Ø 40                         | 27         |
| ⑨    |        | W0351000014 | Red mushroom-head push button with lock Ø 40                 | 29         |
| ⑩    |        | W0351000049 | Reducer from 30 to 22.5 mm                                   |            |
| ⑫    |        | W0351000021 | Key for ESC selectors  |            |